

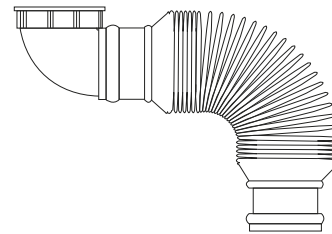
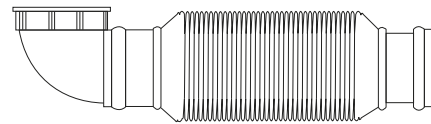
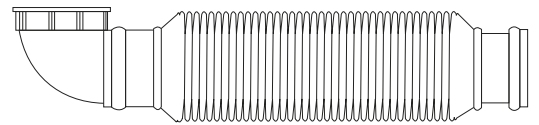
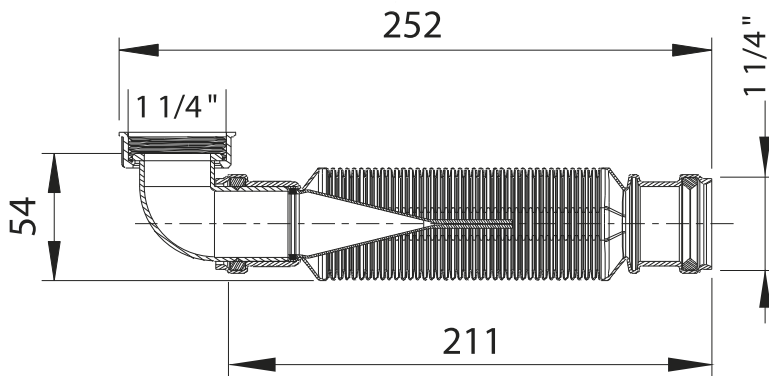


Copenhagen Bath

Roskildevej 394
DK-2610 Rødovre
VAT no.: DK32648622
Phone: 02476468850
contact@copenhagenbath.co.uk
www.copenhagenbath.co.uk

Trap with membrane

SKU: 40040094



Colour:

White

Size H/L/D:

6.4cm / 27.4cm / 3.2cm

Weight:

0.1kg net

Trap with membrane details:

Extra flat trap with silicone membrane that can be positioned vertical or horizontal. The flexibility makes it easy to use and quick to install.