

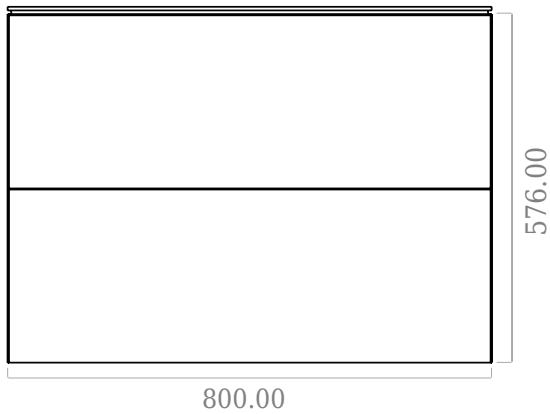


# Copenhagen Bath

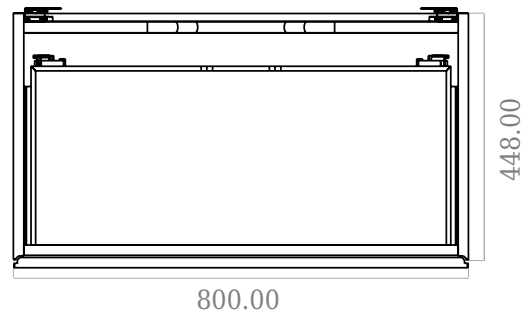
Bækkeskovvej  
DK-2665 Vallensbæk Strand  
CVR: DK32648622  
Telefon: (+45) 3696 0747  
contact@copenhagenbath.com  
www.copenhagenbath.com

## SQ2 80 double cabinet

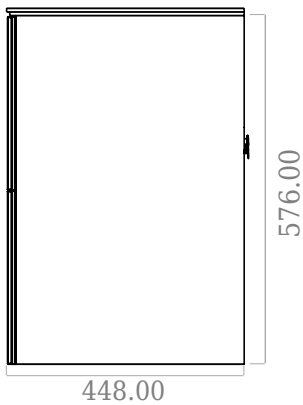
SKU: 30010121



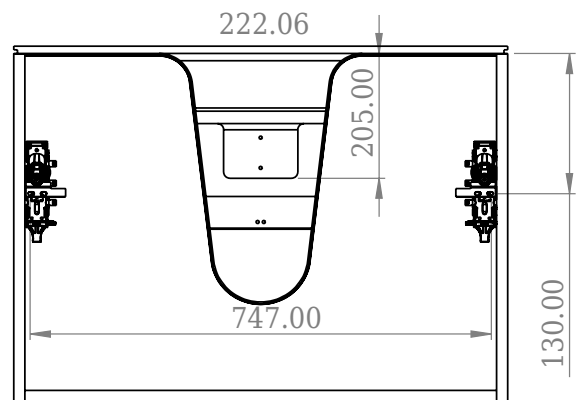
F View



Top View



Side View



Back View

**Colour:** Matte white  
**Size:** 57.6cm / 80cm / 45cm  
**Weight:** 42kg net

**SQ2 80 double cabinet details:**