

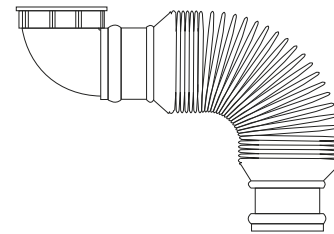
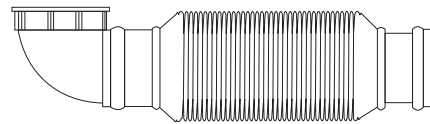
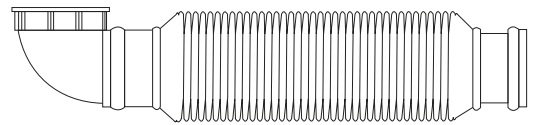
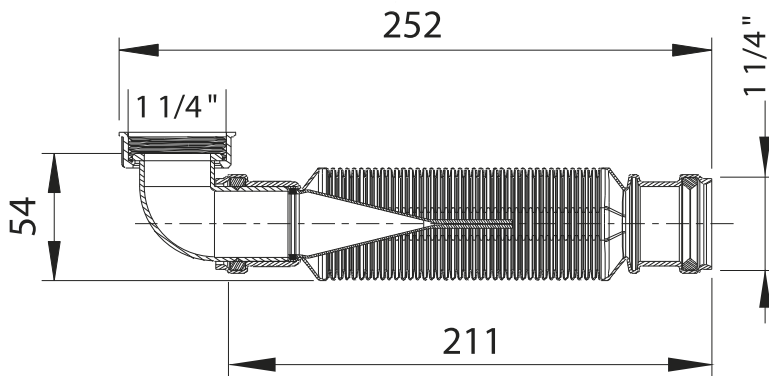


**Copenhagen Bath**

Bækkeskovvej  
DK-2665 Vallensbæk Strand  
CVR: DK32648622  
Telefon: (+45) 3696 0747  
contact@copenhagenbath.com  
www.copenhagenbath.com

## Trap with membrane

SKU: 40040094



**Colour:** White  
**Size:** 6.4cm / 27.4cm / 3.2cm  
**Weight:** 0.1kg net

**Trap with membrane details:**