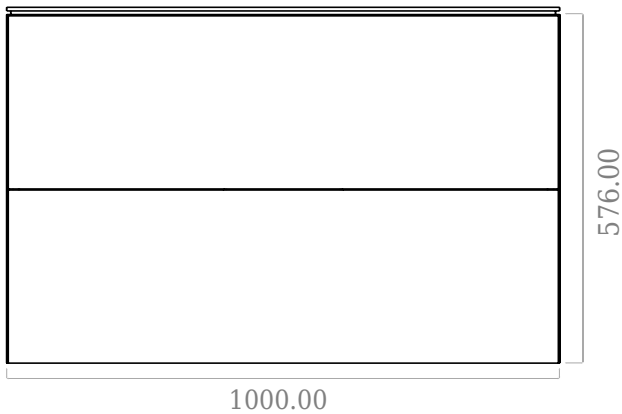
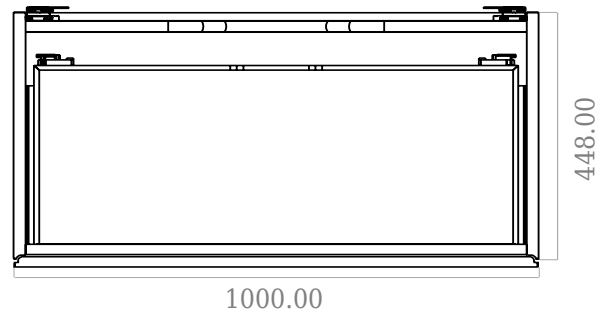


## SQ2 100 double cabinet with centred basin

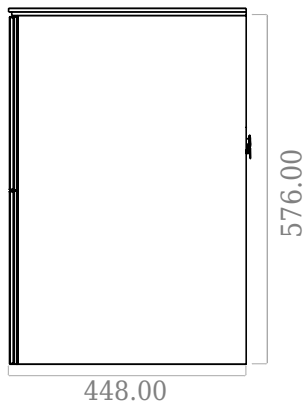
SKU: 30010235



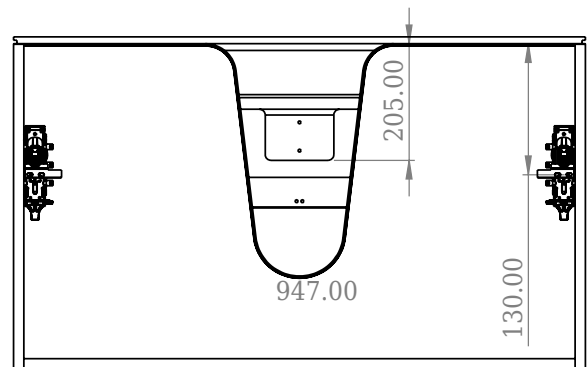
F View



Top View



Side View



Back View

**Colour:** Matte white  
**Size:** 57.6cm / 100cm / 45cm  
**Weight:** 60kg net

**SQ2 100 double cabinet with centred basin details:**