

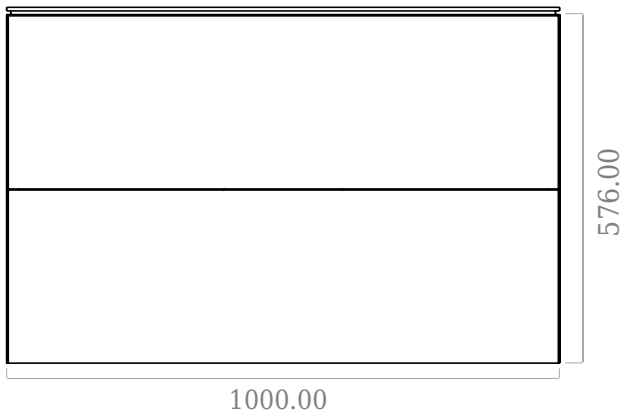


## Copenhagen Bath

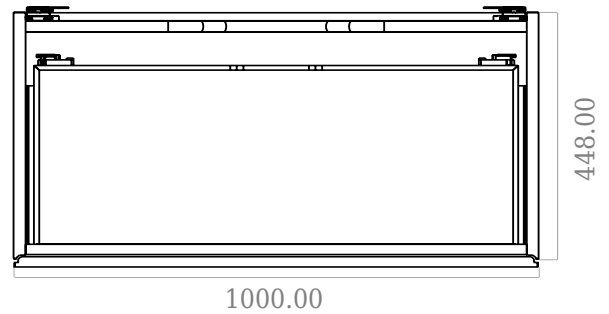
Bækkeskovvej  
DK-2665 Vallensbæk Strand  
CVR: DK32648622  
Telefon: (+45) 3696 0747  
contact@copenhagenbath.com  
www.copenhagenbath.com

# SQ2 100 double cabinet with countertop

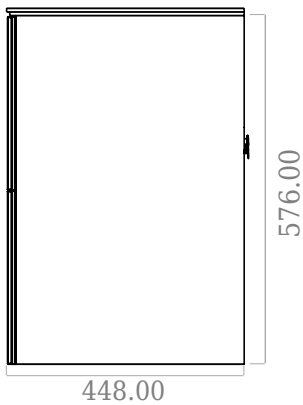
SKU: 30010243



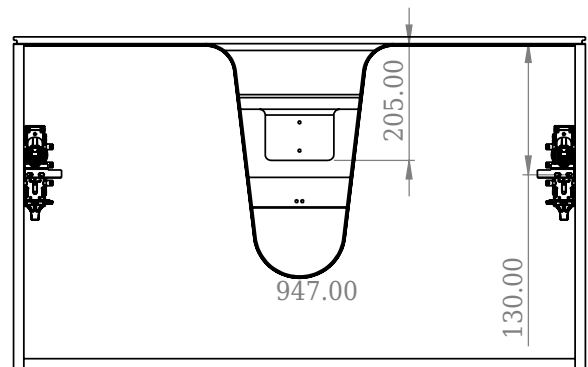
F View



Top View



Side View



Back View

**Colour:** Matte white  
**Size:** 60cm / 100cm / 45cm  
**Weight:** 54.45kg net

**SQ2 100 double cabinet with countertop details:**