

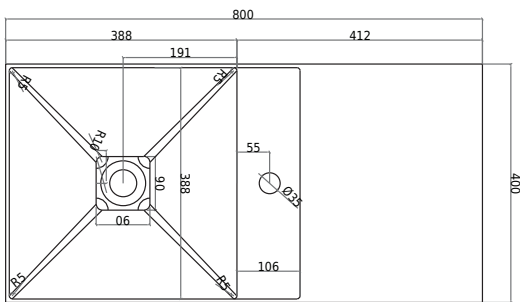


**Copenhagen Bath**

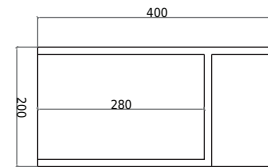
Bækkeskovvej  
DK-2665 Vallensbæk Strand  
CVR: DK32648622  
Telefon: (+45) 3696 0747  
contact@copenhagenbath.com  
www.copenhagenbath.com

# Oslo 80 left basin with shelf

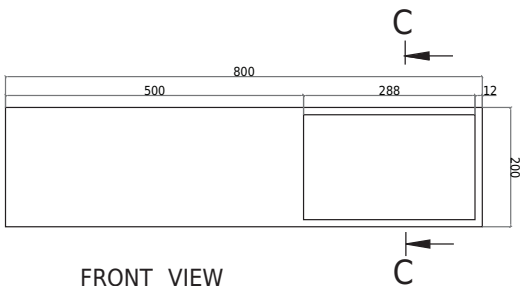
SKU: 40010346



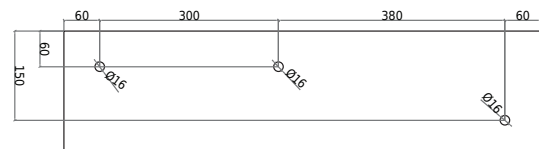
TOPVIEW



SECTION C-C



FRONT VIEW



REAR VIEW

**Colour:**

**Size:**

20cm / 80cm / 40cm

**Weight:**

21kg net

**Oslo 80 left basin with shelf details:**