

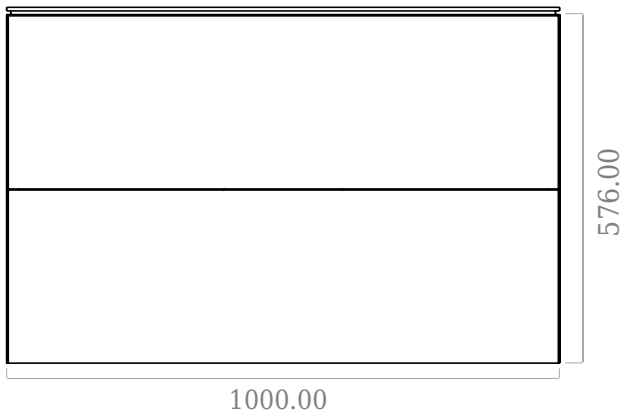


Copenhagen Bath

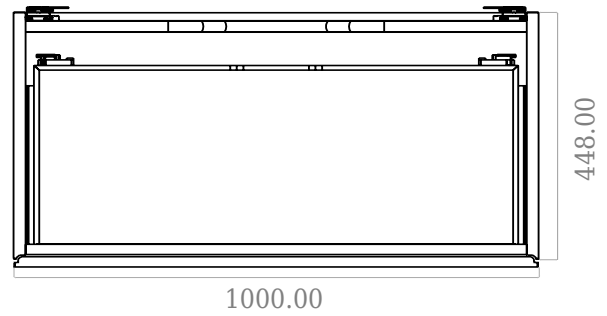
Bækkeskovvej
DK-2665 Vallensbæk Strand
CVR: DK32648622
Telefon: (+45) 3696 0747
contact@copenhagenbath.com
www.copenhagenbath.com

SQ2 100 double cabinet with centred basin

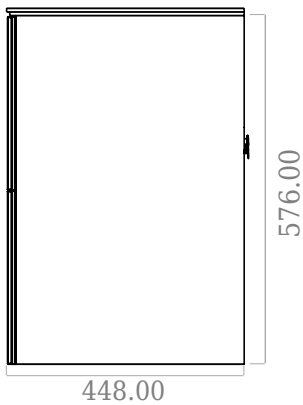
SKU: 30010235



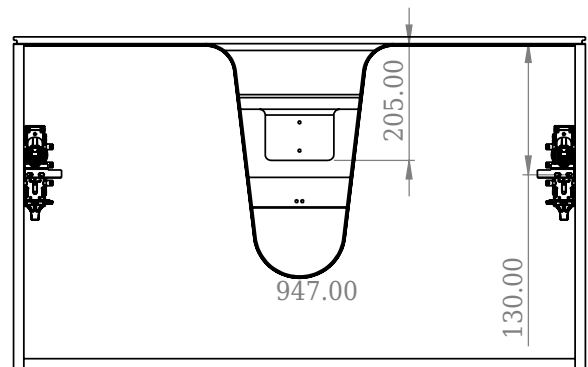
F View



Top View



Side View



Back View

Colour: Matte white
Size: 57.6cm / 100cm / 45cm
Weight: 60kg netto

SQ2 100 double cabinet with centred basin details: