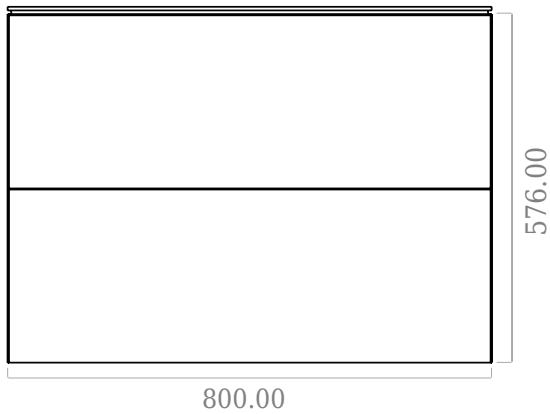
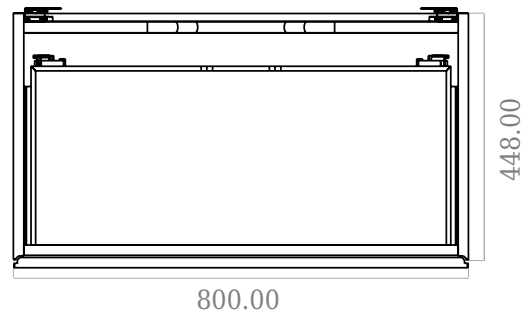


## SQ2 80 double cabinet with countertop

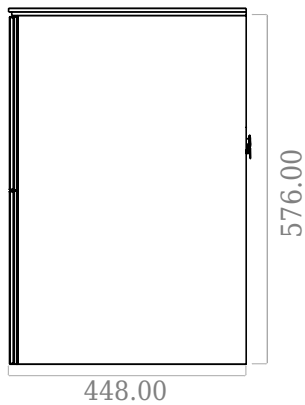
SKU: 30010242



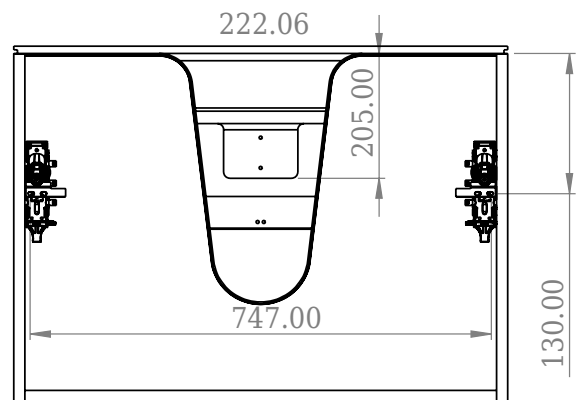
F View



Top View



Side View



Back View

**Colour:** Matte white  
**Size:** 60cm / 80cm / 45cm  
**Weight:** 50.5kg netto

**SQ2 80 double cabinet with countertop details:**